

HR Voltage Indicator: CVI L

The Capacitive Voltage Indicator is designed for to use with MV capacitive voltage divider devices. Three LEDs on the voltage indicators allow you to see if any voltage is present or absent in the system.

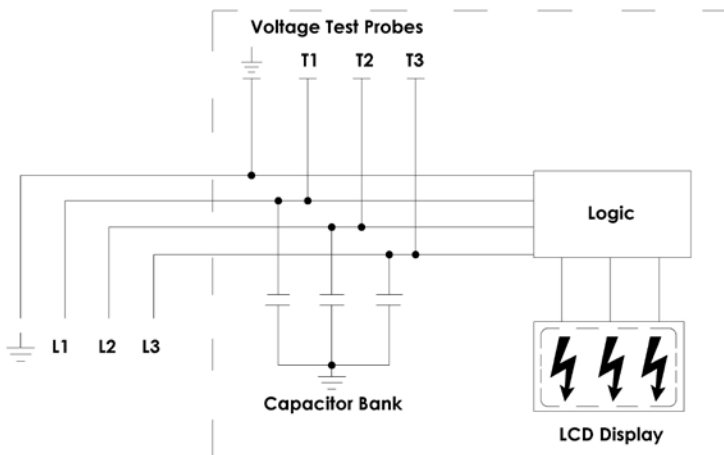


Features:

- HR system
- According to IEC 62271-213
- No auxiliary power is needed for voltage detection
- 3 Phase flashing LED indication
- 4 testing measuring points on front side
- Easy for installation and maintenance
- Economical alternative

Technical Parameters:

- | | |
|-------------------------------------|-------------------------------|
| 1.Rated frequency | : 50Hz or 60Hz |
| 2.Threshold voltage | : 10% to 45%Un |
| 3.Operating temperature | : -25°C to +55°C |
| 4.Storage temperature | : -30°C to +80°C |
| 5.Protection class | : IP54 |
| 6.Power freq. withstanding voltage: | 2kV/1min |
| 7.Connection leads | : 4.8*0.8mm fast-on terminals |
| 8.Dimension | : 96*50*50mm |
| 9.Cutting size | : 91*45mm |



Required data for order:

- Capacitance of coupling electrode C1
- C2 options; 3.3, 6.8, 10, 22, 47, 68, 80 nF
- Cable type and length
- Rated Voltage Un